



JANILINK

OWNER'S MANUAL

OPERATION • CARE • SERVICE

PREFERRED LINE COMMERCIAL USE ONLY FLOOR MACHINES

17", 20" Janilink Multifunction Floor Buffer

17", 20" Janilink 2 Speed Multifunction Floor Buffer

15", 17", 20" Janilink High Speed Multifunction Floor Buffer



TABLE OF CONTENTS

Machine Specifications	1
Service Information	2
Important Safety Instructions	2
Grounding Instructions	3
Operation / Accessories	3
Brush And Drive Block Installation	4
Adjustments	4
Controls	5
Guidelines For Operation	5
Cord Storage	5
Clean Up And Storage	5
Floor Machine Assemblies, 17", 20" Floor Machine	6
Floor Machine Assemblies, 17", 20" 2 Speed Floor Machine	6
Floor Machine Assemblies, 15", 17", 20" High Speed Floor Machine	7
Floor Machine Parts List	8-9
Optional Accessories	10
Features	10
Limited Warranty	Back Cover

MACHINE SPECIFICATIONS

Model	Floor Machine 17", 20" 175RPM
Voltage	115V/60Hz
Power Cord	50 ft. (15.2 m) 14-3 ST Fixed
Motor	1.5 HP / 66 Frame Duel Capacitor
RPM (Brush)	175
Gear Box	Planetary 3-Idler Steel Cut Helical Gears
Machine Weight	17" 105 lbs. (47.6 Kg.) 20" 109 lbs. (49.4 Kg.)

Model	Floor Machine 17", 20" 175/300 2-speed
Voltage	115V/60Hz
Power Cord	50 ft. (15.2 m) 14-3 ST Fixed
Motor	1.5 HP / DC Rectified
RPM (Brush)	175/300
Gear Box	Planetary 2-Idler Steel Cut Helical Gears
Machine Weight	20" 103 lbs. (46.7 Kg.)

Model	High Speed Floor Machine 15", 17", 20" 2000 RPM 20" 1500 RPM
Voltage	115V/60Hz
Power Cord	50 ft. (15.2 m) 14-3 ST Fixed
Motor	1.5 HP / DC Rectified
RPM (Brush)	1500/2000
Drive	Multi-V Belt
Machine Weight	112 lbs. (50.8 Kg.)

SERVICE INFORMATION

To obtain consistent performance over the life of your Hawk equipment, read through these instructions and save them for future reference. If you require service, contact the dealer from which the machine was purchased or an authorized service station. Always refer to your Limited Warranty for complete service information.

Janilink

SERIAL NO.		MODEL	
VOLTS	PHASE	HZ	
MOTOR	AMPS	H.P.	

The model, type and serial number are indicated on the data plate on the side of the handle. For prompt and complete service, refer to these numbers when inquiring about service.

Write the model and serial number of your unit in the space provided. Refer to the data plate on unit.

MODEL # SERIAL#

Retain this owner's manual for future reference.

IMPORTANT SAFETY INSTRUCTIONS

When using an electrical appliance, basic precautions should always be followed, including the following:

READ ALL INSTRUCTIONS BEFORE USING THIS FLOOR FINISHING MACHINE.




WARNING: ELECTRIC SHOCK CAN CAUSE SERIOUS INJURY OR BE FATAL. PLEASE READ THE FOLLOWING INSTRUCTIONS ON THE USE AND OPERATION OF THE HAWK FLOOR FINISHING MACHINES.

- Your floor machine is equipped with a safety switch lock and power switch triggers designed for your safety. Do not attempt to bypass or defeat the safety switch lock. Never use any device to lock the power switch triggers in the "ON" position.
- Do not leave the floor machine when plugged in. Turn off the switch and unplug the electrical cord when not in use and before servicing or changing the brushes or pads.
- Do not allow the machine to be used as a toy. Close attention is necessary when used near children. Do not leave the machine connected to an electrical outlet unattended.
- Use only as described in this manual. Use only manufacturer's recommended attachments.
- Do not use with a damaged cord or plug. If the machine is not working as it should, has been dropped, damaged, or left outdoors return it to a service center before using.
- Use care to keep the electrical supply cord from contacting the rotating brush or drive block.
- Do not pull, close a door on, or pull the cord around sharp edges or corners. Keep the cord away from heated surfaces.
- Connect to properly grounded (3-wire) outlet only refer to Grounding Instructions, Pg 3.
- Do not use extensions cords or outlets with inadequate current carrying capacity.
- Turn off all controls before unplugging.
- Do not unplug by pulling on cord. To unplug, grasp the plug, not the cord.
- Do not handle the plug or floor machine with wet hands.
- Wind the cord no tighter than is necessary to retain it during storage. Refer to Cord Storage, Pg 5.
- Use extra care when working near stairs.
- Do not use in conjunction with flammable or combustible liquids such as gasoline, or use in areas where explosive vapor or dust may be present.
- Store your floor machine indoors in a cool, dry area.
- Keep your work area well lighted.
- Warning - To avoid electrical shock, use indoors only.

GROUNDING INSTRUCTIONS

This appliance must be grounded. If it should malfunction or break down, grounding provides a path of least resistance for electric current to reduce the risk of electric shock. This appliance is equipped with a cord having an equipment grounding conductor and grounding plug. The plug must be plugged into an appropriate outlet that is properly installed and grounded in accordance with all local codes and ordinances.

For floor finishing machines rated less than 150 volts:

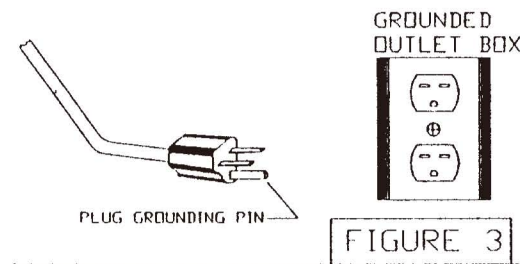
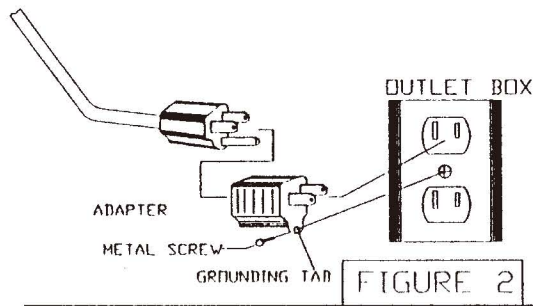
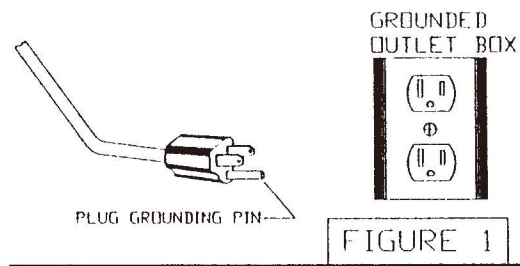


WARNING: DO NOT USE GROUNDING ADAPTERS ON HAWK FLOOR MACHINES IN CANADA. CHECK WITH CANADIAN CODES FOR PROPER EQUIPMENT USAGE. IMPROPER USE OF GROUND ADAPTORS CAN CAUSE SERIOUS INJURY, FIRE OR BE FATAL.

Improper connection of an equipment grounding conductor can result in risk of electric shock. Check with a qualified electrician or service person if you are in doubt as to whether the outlet is properly grounded. Do not modify the plug provided with the appliance. If it will not fit the outlet, have a proper outlet installed by a qualified electrician. This appliance is for use on a nominal 120 volt circuit and has a grounding plug that looks like the plug illustrated in Figure 1. A temporary adapter which looks like the adapter illustrated in Figure 2 may be used to connect this plug to a two pole receptacle, as shown, if a properly grounded outlet is not available. The temporary adapter should be used only until a properly grounded outlet (Figure 1) can be installed by a qualified electrician. The green colored rigid ear, lug, or the like extending from the adapter must be connected to a permanent ground such as a properly grounded outlet box cover. Whenever the adapter is used, it must be held in place by a metal screw.

For floor finishing machines rated 150-250 volts:

If the machine is provided with an attachment plug cap as shown in Figure 3, it is intended for use on a 240 volt (nominal) circuit. No adapter is available for this cap



OPERATION / ACCESSORIES

CHOOSING THE RIGHT BRUSH AND DRIVE BLOCK

Your floor machine is packed completely assembled and ready for use after you install a brush or drive block. (Brushes and pads are not provided with the unit but are available at an additional cost.) See Optional Accessories, Pg 10.

Your Hawk floor machine is designed to be used for many different floor care applications. Make sure you use the correct brush or pad for the type of job you want to perform (Hawk Accessories are available from the dealer from whom the floor machine was purchased).

When ordering brushes or drive blocks, refer to the following chart and specify correct brush or block diameter when ordering.

MACHINE SIZE	BRUSH DIAMETER	BLOCK DIAMETER
17"	17"	15"
20"	20"	18"

Clutch plate P/N C0009 is common to all model HP Hawk floor machines.

BRUSH AND PAD DRIVER INSTALLATION

NOTE: Disconnect the power cord from the electrical outlet before installing a brush or pad driver.

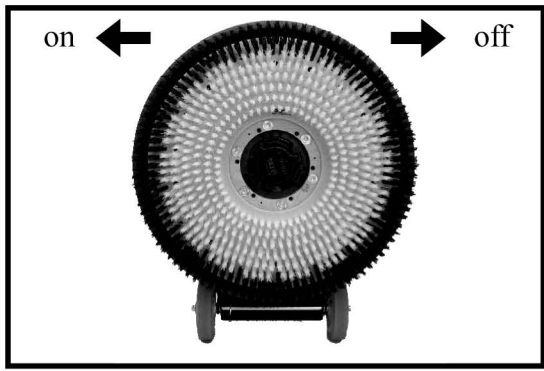


fig.4

To install a brush or pad driver, leave the handle in the upright position and tip the machine backwards so it rests on its wheels and upper handle section(fig 4). The brush and pad driver both attach in the same manner: align the cut-outs on the inner ring of the brush or pad driver with the tabs on the inside of the ring of the drive hub(fig 5). Push the brush or pad driver firmly in position, then turn it counter-clockwise until it locks into place.

To remove, turn the brush or pad driver clockwise until it stops, then lift it off. **NOTE: Always remove the brush or pad driver when the machine is not in use.**

NOTE: Disconnect power cord from electrical outlet before installing or removing brush, pad, or pad driver.



fig. 5

PAD CENTERING LOCK (High speed machine only)

To install a pad, tip the machine backwards so it rests on the rear wheels and handle. After centering the pad on the pad holder, insert the Pad Centering Lock and twist it clockwise until it securely locks in place. To remove, twist the lock counterclockwise.

ADJUSTMENTS

DRIVE BELT ADJUSTMENT (High speed machine only)

NOTE: Disconnect power cord from electrical outlet before adjusting drive belt tension.

1. Loosen the bolts holding the drive motor to the frame; do not remove (fig 8).
2. Turn the two screws at the rear of the frame until the belt is tight.
3. Test the machine. If belt slips, adjust further. Retest. If the belt does not slip, tighten the drive motor bolts. **DO NOT** overtighten the drive belt.

HANDLE ADJUSTMENT

The handle can be adjusted to any desired work position by simply pushing up on the handle lock (fig 6). Move the handle to the desired position, then firmly push down on the handle lock which will lock the handle in position.

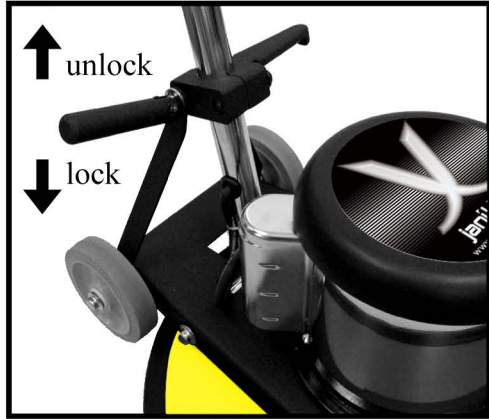


fig. 6

HANDLE CAM LOCK ADJUSTMENT

With the handle cam lock in the "up" position (unlocked), tighten the adjusting nuts until there is a slight drag when the handle is raised or lowered. The tube should be locked securely when the handle lock is pressed downward (fig 7).

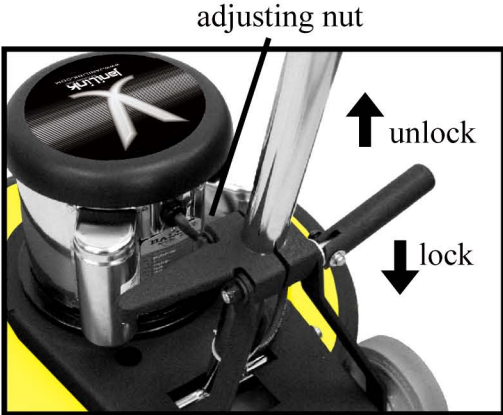


fig. 7

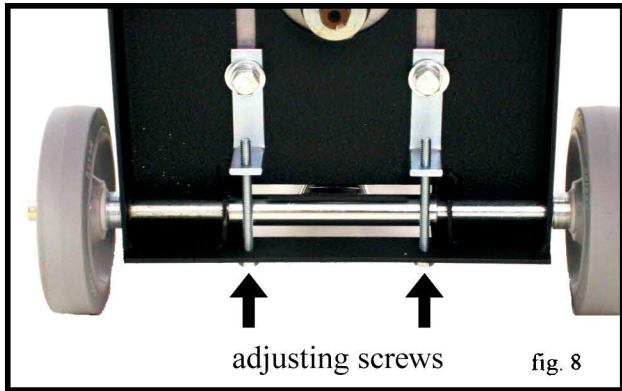


fig. 8

CONTROLS

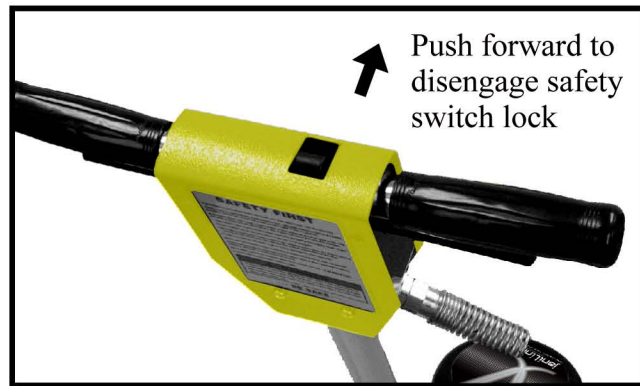
ON/OFF POWER SWITCH TRIGGERS

The ON/OFF switch is conveniently located in the form of dual triggers underneath the handle grips.

TO TURN THE MACHINE ON

The operating handle must be lowered to the operating position before switching the machine ON. Place both hands firmly on the handle grips with your fingers around the power triggers. Do not apply pressure on the triggers before the safety switch lock is disengaged.

Disengage the safety switch lock by pushing it forward with one thumb. Then, while holding the safety switch lock in disengaged position, squeeze the power triggers toward the handle grips and return your thumb to the handle grip.



To stop the machine, simply release the triggers. The safety switch lock will automatically return to the engaged position.

USING THE 2-SPEED MACHINE FOR BUFFING

The two-speed floor machine designed for dual operation, scrubbing or buffing. A toggle switch on the left side of the switch box selects the output speed, 175 RPM for scrubbing or 300 RPM for buffing. Do not operate this floor machine for buffing in low speed, it will not do an effective job and tends to overload the motor unnecessarily.

GUIDELINES FOR OPERATION

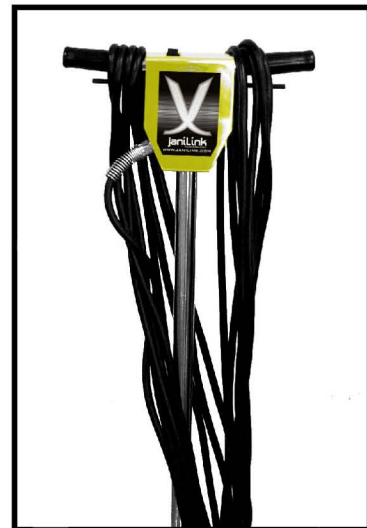
- Your floor machine is a very sensitive, powerful unit. When in operation, it should be guided gradually and smoothly without sudden or rough motions. You will want to practice with your machine on a smooth surface first until you have experience in operating it.

- For ease of operation, always keep the brush or pad surface level, balanced, and flat on the floor at all times.
- Always adjust the operating handle to a comfortable height at which the brush or pad surface is balanced before starting the machine. (see "Handle Adjustment" Pg 4).
- Your floor machine will operate differently on various surfaces. For example, there will be much more resistance when the machine is used with a brush on carpeted surfaces than when it is used with a pad on a smooth surface. The operator should be prepared to adjust for these differences.
- BEGIN OPERATING THE FLOOR MACHINE WITH THE BRUSH OR PAD SURFACE LEVEL, BALANCED AND FLAT ON THE FLOOR.**
- To move the machine to the right, slowly apply slight upward pressure on the handle.
- To move the machine to the left, slowly apply slight downward pressure on the handle.
- To move the machine forward or backward, keep brush or pad flat on the floor and push or pull machine in the desired direction.

DO NOT LET THE MACHINE REST ON THE PAD OR BRUSH FOR AN EXTENDED PERIOD OF TIME. This may alter the shape of the pad or brush which may cause the machine to wobble.

CORD STORAGE

When not in use, loosely wind the power cord around the cord storage hook on the handle shaft and both of the handle grips, as shown.



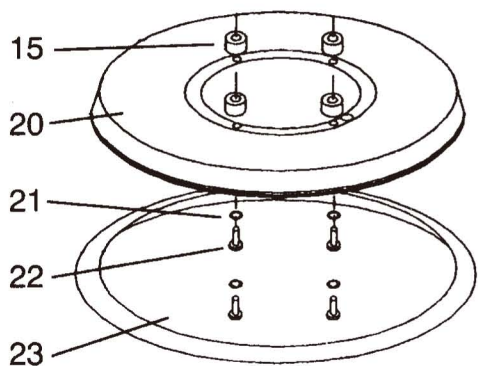
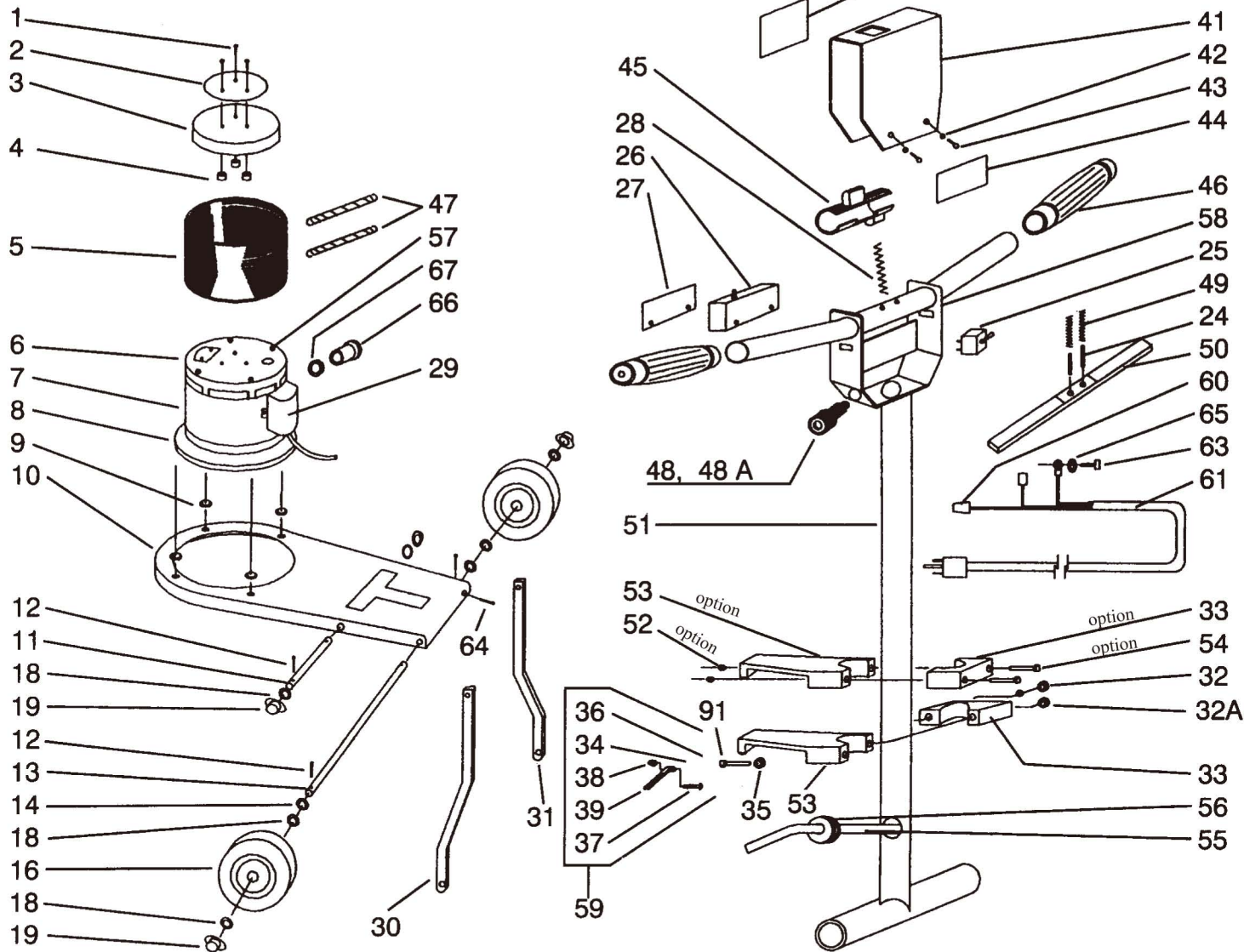
CLEAN UP AND STORAGE

After being used, your floor machine can be wiped clean with a soft, damp cloth and should be stored in a clean, dry place.

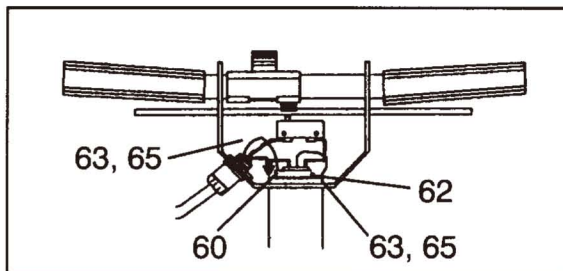
FLOOR MACHINE ASSEMBLIES

17", 20" 175 RPM 1.5 HP

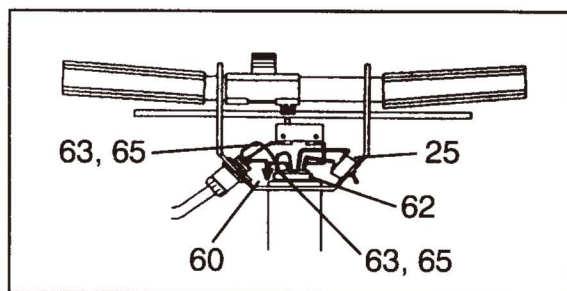
17", 20" 175/300 RPM 1.5 HP 2-SPEED



See Pages 8-9 for parts list



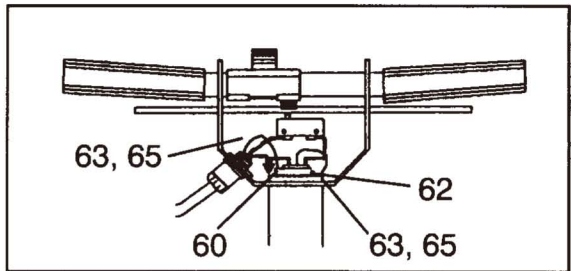
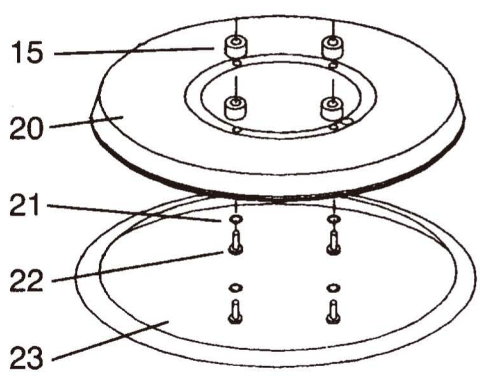
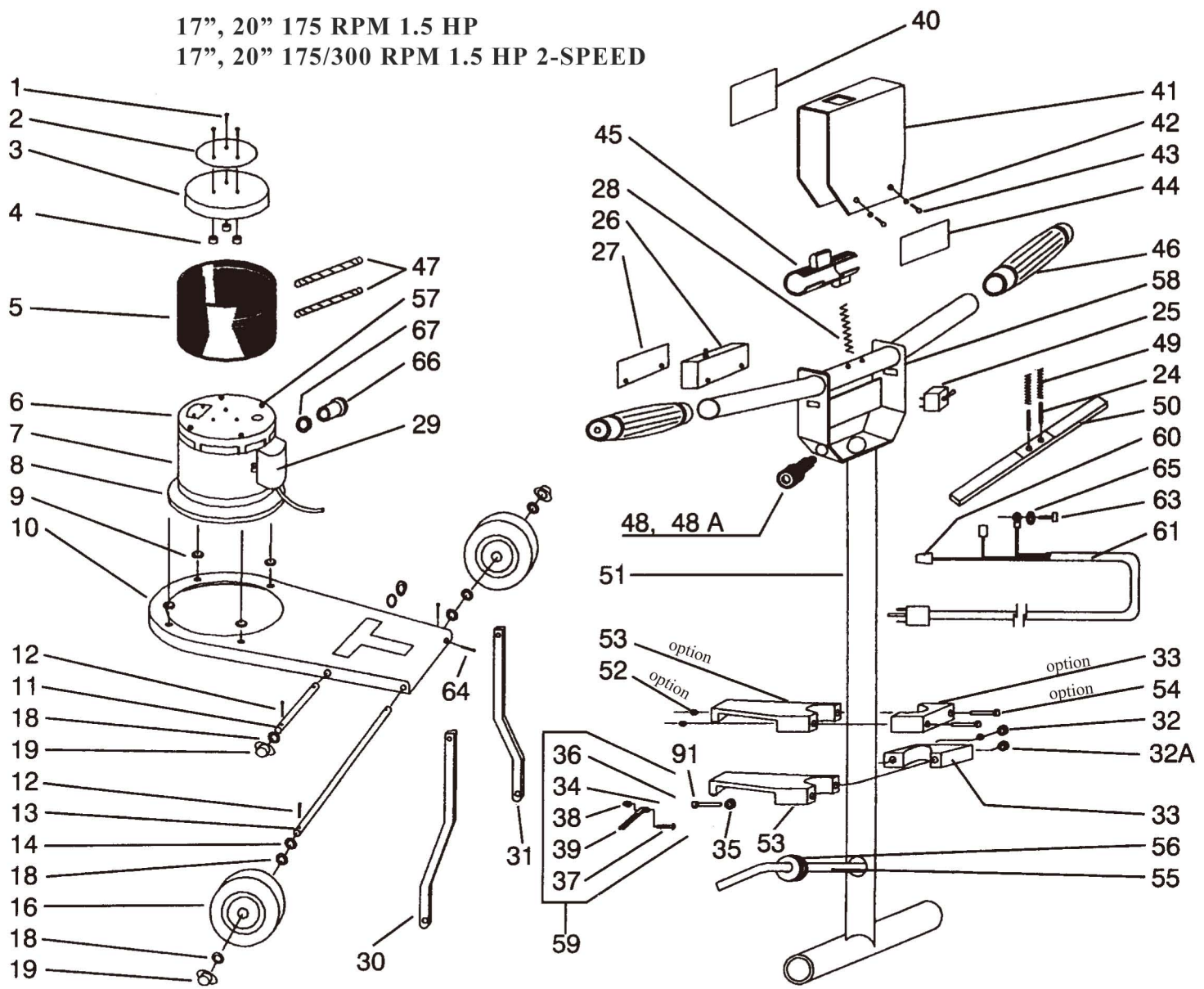
17" 175 RPM 1.0 HP, 17" 175 RPM 1.5 HP, 20" 175 RPM 1.0 HP
20" 175 RPM 1.5 HP, 20" 1500 RPM 1.5 HP



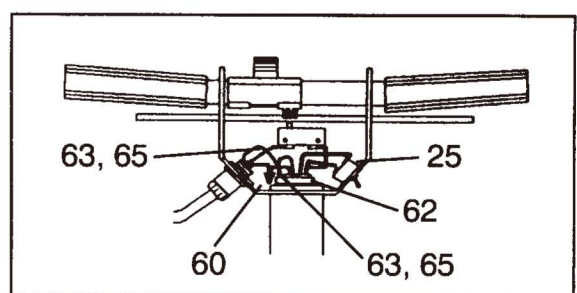
20" 175/300 RPM 2-SPEED

FLOOR MACHINE ASSEMBLIES

17", 20" 175 RPM 1.5 HP
 17", 20" 175/300 RPM 1.5 HP 2-SPEED



17" 175 RPM 1.0 HP, 17" 175 RPM 1.5 HP, 20" 175 RPM 1.0 HP
 20" 175 RPM 1.5 HP, 20" 1500 RPM 1.5 HP



20" 175/300 RPM 2-SPEED

See Pages 8-9 for parts list